

DSP3012H

300W 12" 2-Way Commercial Weatherproof Horn Loudspeaker



Description

The DSP3012H is a highly weather-resistant, compact two-way PA loudspeaker with a coaxial driver. It delivers excellent speech and music fill across a diverse range of settings, including sports facilities, racetracks, stadiums, fairgrounds, rodeos, skating rinks, themed entertainment venues, cruise ships, water parks, outdoor background music and paging systems, swimming pools, and many other indoor and outdoor venue types.

Features

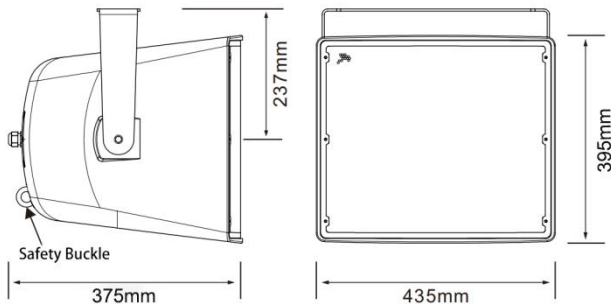
- Water-resistant construction: features a high-strength ABS enclosure and an aluminum mesh grille.
- Delivers high-quality, pleasant audio with a coaxial two-way driver design.
- Sensitivity: $93 \pm 3\text{dB}$
- Compatible with 70V, 100V, and 8Ω inputs.
- Maximum power handling: 600W
- Compact size yet capable of producing loud, clear sound over long transmission distances.

Specifications

Model	DSP3012H
Rated Power	300W
Max. Power	600W
Sensitivity (dB)	$93 \pm 3\text{dB}$
Frequency Response (Hz)	75Hz-20kHz
Max. SPL (1m)	$119 \pm 3\text{dB}$
Open Angle (1KHz/-6dB)	60-120°

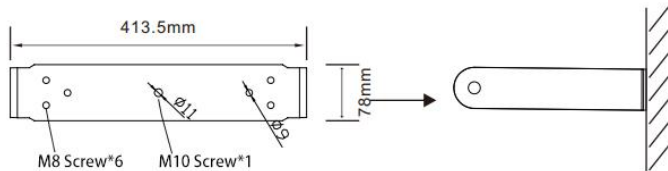
Input Method	70V/100V/8Ω
Dimensions (H×W×D) (mm)	395×435×375mm
Weight	20.3kg
Color	Black

Product Information

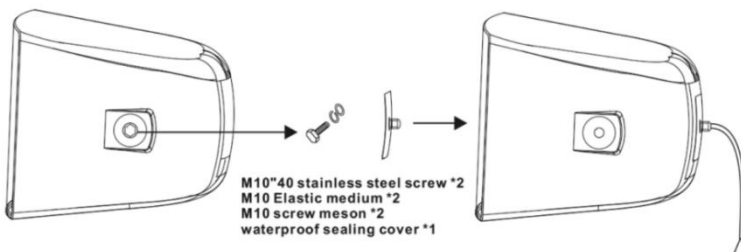


Installation Steps

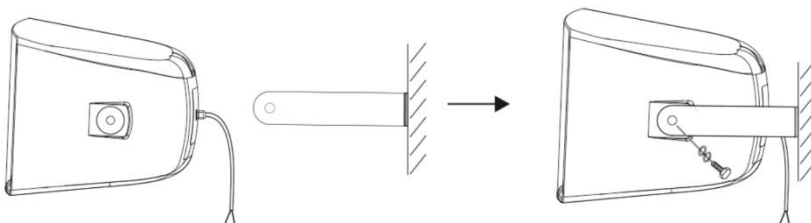
1. Mounting the stable bracket



2. Remove the screws on the horn box for spare use and remove the waterproof seal cover. Connect with the wiring diagram according to the customer's needs, and tighten the seal cover after connection.



3. Combine the horn speaker with the wall bracket



4. Please confirm the mounting stable.

